

SPACE-SAVING KIT

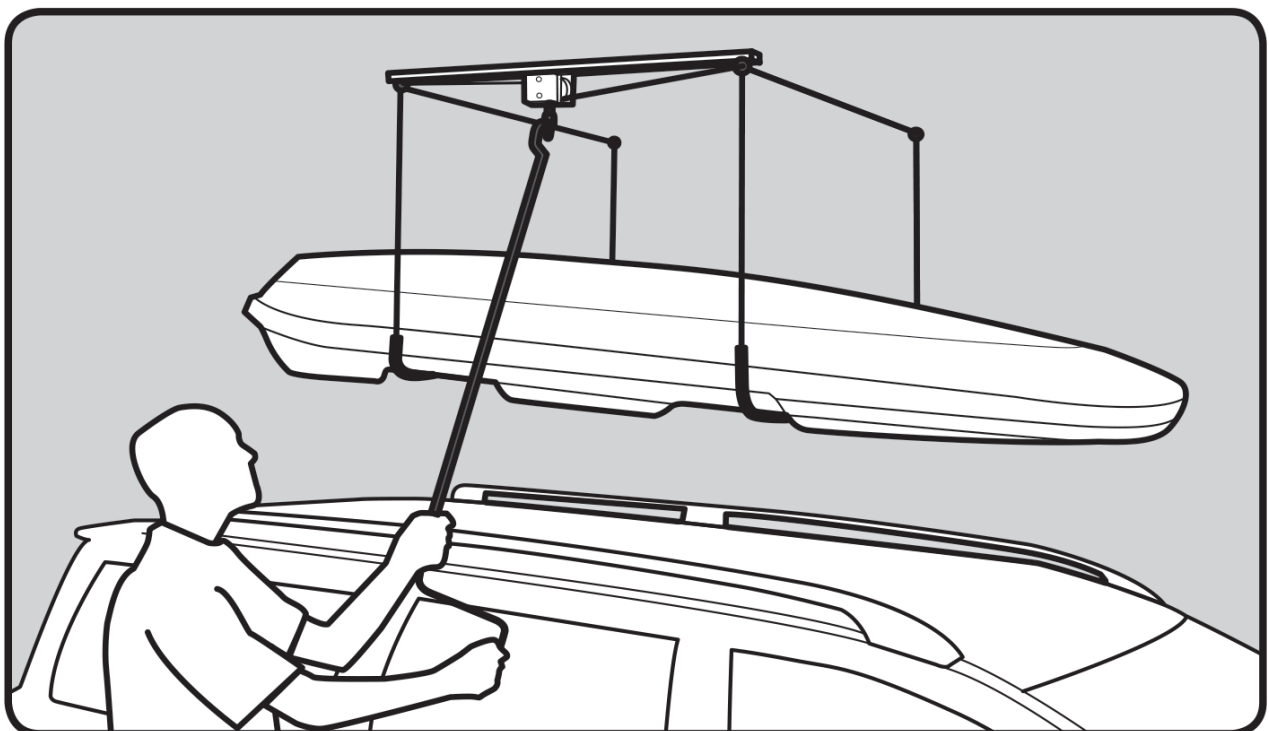
The lift for easy and secure storage of your roof box. Suitable for all sizes (max. 100 kg).

DE Bedienungsanleitung

EN Operating Instructions

EN

FR Notice d'utilisation



1. General information

Dear customer,

By purchasing a BOXLIFT you have decided on a quality product from GEIGER. Thank you very much for your decision and the confidence placed in us.

Before you put the BOXLIFT into operation please observe the following safety information. It serves for the prevention of danger and for the avoidance of personal injury and damage to property.

Please retain this information for future reference.

- ▶ **Suitable for all roof boxes**

2. Guarantee

In the case of incorrect installation contrary to the operating instructions and/or constructional modification, the legal and contractual guarantee for property damage and product liability lapses.

3. Safety instructions for installation



WARNING: Important safety information. Follow all installation instructions, as incorrect installation can lead to serious injuries.

- ▶ **The installation must be carried out professionally to ensure secure fixation of the screws on the ceiling. For fixation on a concrete or gas concrete ceiling, please contact an expert to select the most appropriate fixation elements.**
- ▶ **Make sure that fixations, screws and ropes are spaced at equal distances. We are not liable or responsible for damage/injury caused by improper installation or improper use.**
- ▶ **The minimum space needed for easy crank operation is about 60 cm. Please observe sufficient distance from rolling gates or similar.**
- ▶ **Use caution when drilling holes as gas pipelines, water pipes and electrical wires may be present.**

4. Safety instructions for operation



ATTENTION: Important safety information. For personal safety, it is important to follow these instructions. The instructions should be kept.

- ▶ **This appliance is not to be used by persons (including children) whose physical, sensorial or mental capacities are impaired, or who have no experience or know-how, unless they have been supervised or been given instructions on the use of the appliance by someone who is responsible for their safety.**
- ▶ **Children must be supervised to make sure they do not play with the appliance.**
- ▶ **The installation is to be checked regularly for defective balance, wear and damage.**
- ▶ **During operation observe the danger zone.**
- ▶ **If people or objects are in the danger zone, do not use the installation.**
- ▶ **Urgently shut down damaged installations until repair.**

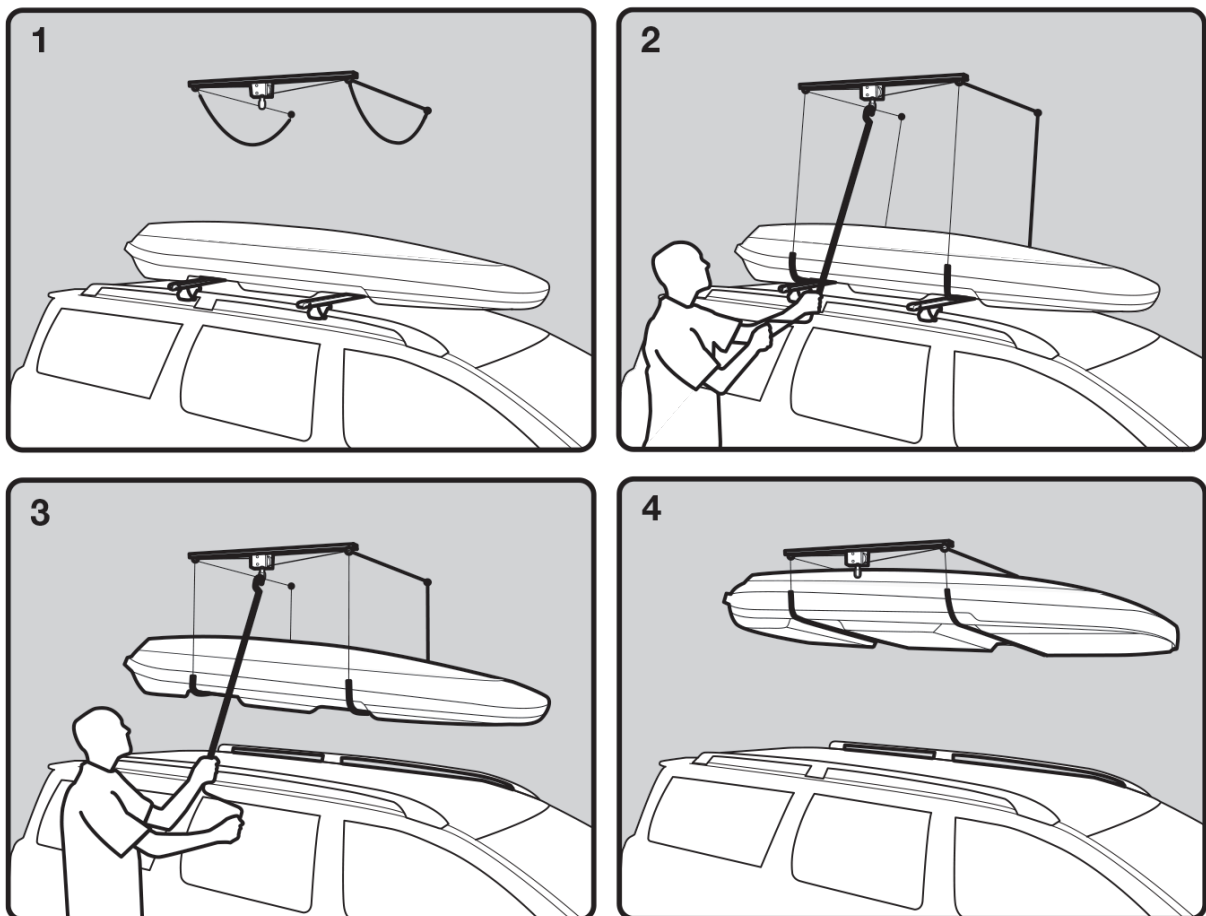
- ▶ Depending on the mounting distance between rail and deflect eyelet, a lifting height of up to 180 cm is possible.
- ▶ The maximum load of 100 kg should not be exceeded.
- ▶ Suitable for one box only (not for 2 boxes of 50 kg each).
- ▶ No loading/unloading in the BOXLIFT.
- ▶ Do not step or stand under a suspended load
- ▶ Evenly distribute the weight inside the roof box.
- ▶ When lifting the roof box, make sure it is in a horizontal position.
- ▶ Check the security of the BOXLIFT ropes and if necessary secure them with straps or similar.
- ▶ If the roof box is equipped with mounting brackets, run the ropes for safety through the brackets.

5. Intended use

The BOXLIFT is designed exclusively for the storage of roof boxes.

If the BOXLIFT is used for other applications and/or modifications are performed to the BOXLIFT, which have not been discussed with GEIGER Antriebstechnik, then the manufacturer is not liable for personal injury and/or damage to property and for consequential damage.

6. Operation



7. Notes on waste disposal

Recycling of packaging materials

In the interest of environmental protection, please contact your local government's recycling or solid waste management department to learn more about the services it provides.

Safety instructions for installation

! WARNING: Important safety information. Follow all installation instructions, as incorrect installation can lead to serious injuries.

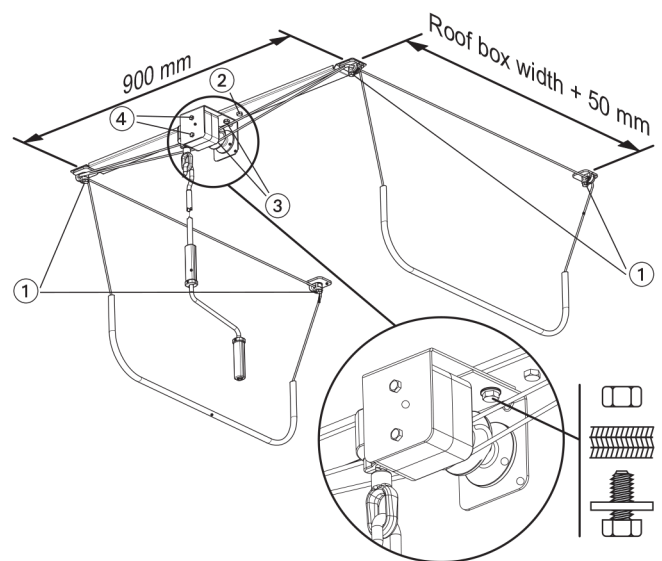
- ▶ The installation must be carried out professionally to ensure secure fixation of the screws on the ceiling. For fixation on a concrete or gas concrete ceiling, please contact an expert to select the most appropriate fixation elements.
- ▶ Make sure that fixations, screws and ropes are spaced at equal distances. We are not liable or responsible for damage/injury caused by improper installation or improper use.
- ▶ The minimum space needed for easy crank operation is about 60 cm. Please observe sufficient distance from rolling gates or similar.
- ▶ Use caution when drilling holes as gas pipelines, water pipes and electrical wires may be present.

Installation Instructions

- Park the car with mounted roof box in the garage.
- Mark ① – ② – ⑤ for subsequent fixation to the ceiling. Center and fix the eyelets ① – ④ and ② – ③ above the roof rack according to the width the roof box with an additional distance of about 5 cm - for example, 80 + 5 cm. For the wood screws, use a 6 mm drill and drill 55 mm deep holes, perpendicular to the ceiling.
- Screw the gear to the slightly inclined openings of the rail with the 2 screws M8 together with the enclosed nuts. Attach the rail to the ceiling with 2 screws 80 mm and to the gear opening ⑤ with 1 screw 50 mm. Be careful not to over-tighten the screws in order not to deform the rail. The eyelets ③ – ④ are tightened with two screws 80 mm.
- Insert a rope into the coil that lies nearest to the gear and direct both rope ends towards eyelet ②. Insert both ends of the rope through the eyelet ② and one end of the rope further through eyelet ③.
- Thread the rope through the hose and adjust the length so that the rope is sideways underneath one side of the roof box. Tie both ends of the rope using a square knot that can be easily undone if the length must be adjusted.
- Push the knot into the hose and thread the rope through the other opening so that the hose is placed centrally under the box.
- Thread the other rope through the other opening of the coil and proceed in the same way with eyelet ① – ④.
- The box can now be raised under the ceiling with the hand crank.

Delivery contents:

- 1 installation instructions
- 1 operation instructions
- 1 rail with eyelet
- 1 gear with coil
- 1 hand crank
- 2 ropes
- 2 hoses
- 2 eyelets
- 4 wood screws 80 mm with washers
- 1 wood screw 50 mm with large diameter washers
- 2 M8 screws with nuts and washers
- 2 M6 screws with washers



①	8 x 80 mm		4x
②	8 x 50 mm		1x
③	M8 x 16 mm		2x
④	M6 x 16 mm		2x

